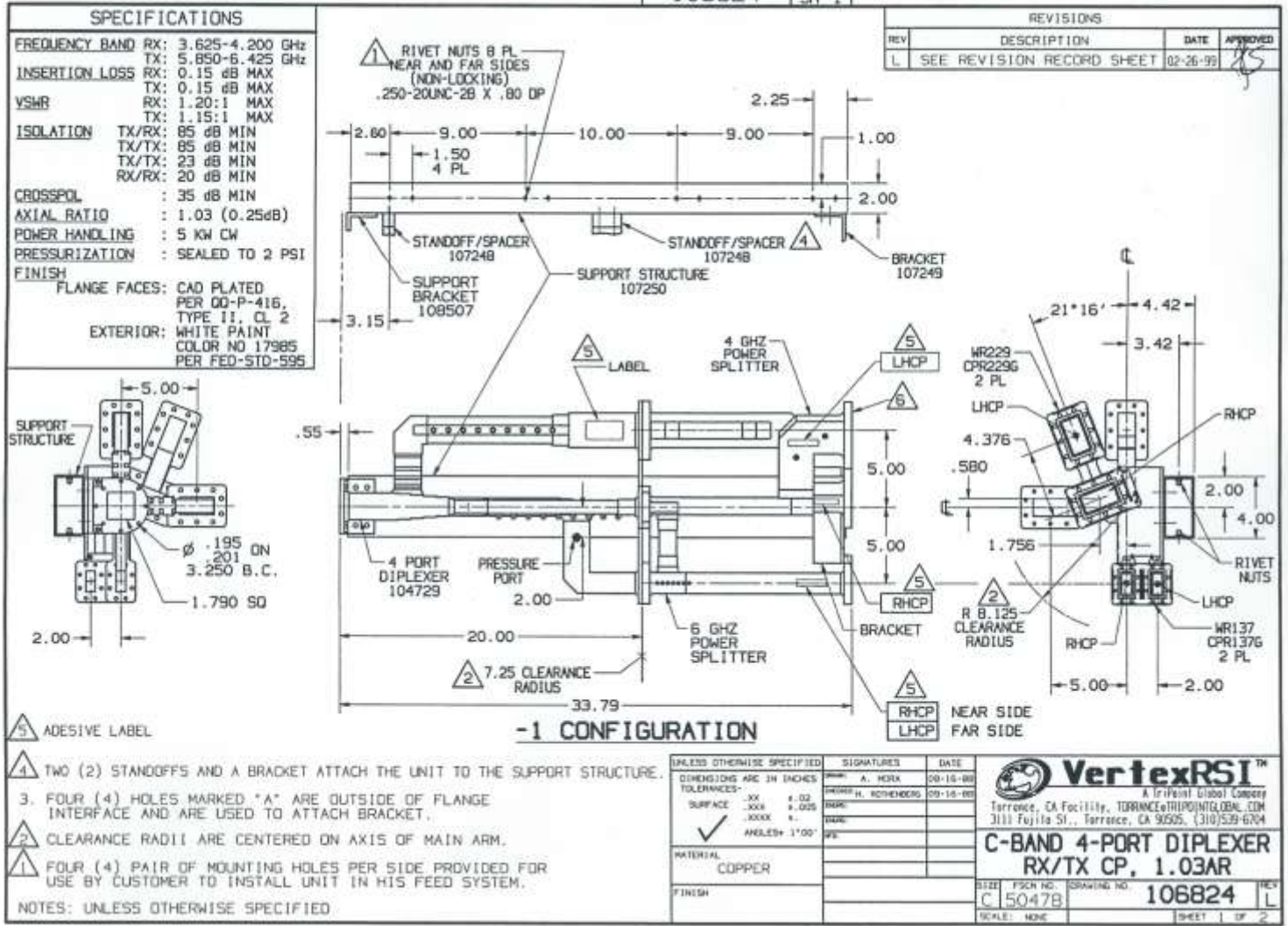


106824 | SH 1 |



The Vertex C-Band 4-Port diplexer is exceptional because it can work as a linear C-Band four port feed or as a circular polarized four port feed.

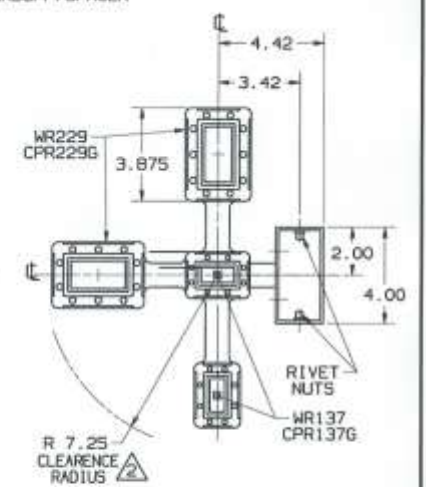
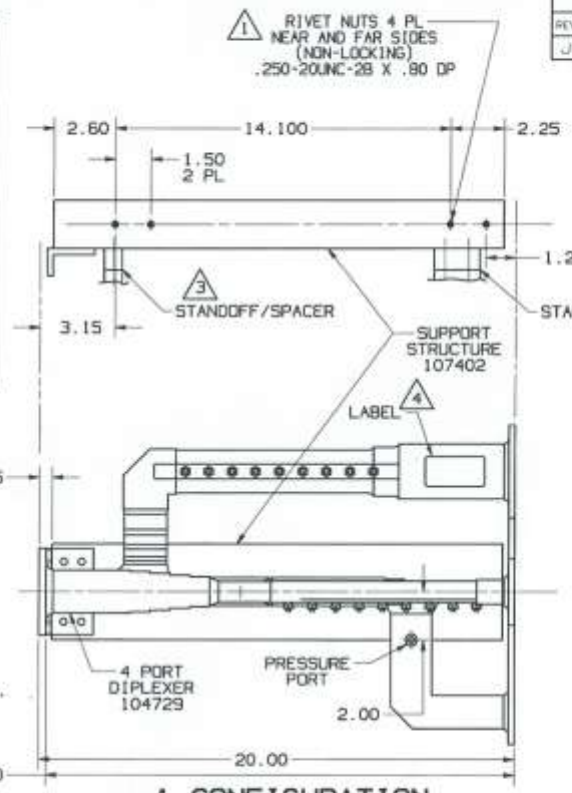
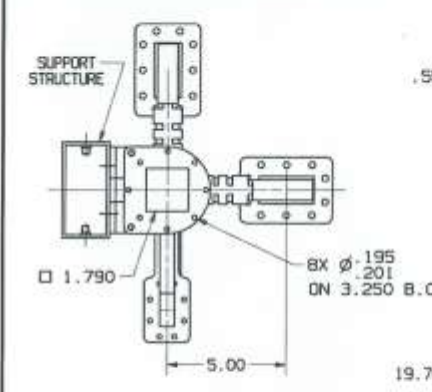
The configuration pictured above shows the complete feed with the circular polarizer section attached.



104729 | SH 1 |

SPECIFICATIONS	
FREQUENCY BAND	RX: 3.625 - 4.200 GHz TX: 5.850 - 6.425 GHz
INSERTION LOSS	RX: 0.15 dB MAX TX: 0.15 dB MAX
VSWR	RX: 1.20:1 MAX TX: 1.15:1 MAX
ISOLATION	TX/RX: 85 dB MIN RX/TX: 85 dB MIN TX/TX: 35 dB MIN RX/RX: 35 dB MIN
CROSSPOL	: 35 dB MIN
POWER HANDLING	: 5 KW CW
PRESSURIZATION	: SEALED TO 2 PSIG
FINISH	FLANGE FACES: CAD PLATED PER 00-P-416 TYPE II, CLASS 2 EXTERIOR: WHITE PAINT, COLOR No. 17B75 PER FED-STD-595

REVISIONS			
REV	DESCRIPTION	DATE	APPROVED
J	SEE REVISION RECORD SHEET	10-31-94	



-1 CONFIGURATION

- 4 ADHESIVE LABEL
 - 3 TWO (2) STANDOFFS ATTACH THE UNIT TO THE SUPPORT STRUCTURE.
 - 2 CLEARANCE RADIUS IS CENTERED ON AXIS OF MAIN ARM.
 - 1 TWO (2) PAIR OF MOUNTING HOLES PER SIDE PROVIDED FOR USE BY CUSTOMER TO INSTALL UNIT IN HIS FEED SYSTEM.
- NOTES: UNLESS OTHERWISE SPECIFIED

UNLESS OTHERWISE SPECIFIED	SIGNATURES	DATE
DIMENSIONS ARE IN INCHES	MARK A. HERRA	08-20-98
TOLERANCES - XX ±.02	DESIGN B. J.	04-24-98
SURFACE - XXX ±.005	WORK R. E. TERRY	01-05-98
✓ FINISH - ANNEAL 0°15'		
MATERIAL		
COPPER		
FINISH		

VertexRSI™
A PIPERIT Global Company
Torrance, CA Facility, TORRANCE@TRIPONTGLOBAL.COM
3111 Fajale St., Torrance, CA 90501, (310) 539-6704

C-BAND 4-PORT DIPLEXER, RX/TX LINEAR

STOCK PART NO. **C 150478** QUANTITY NO. **104729**

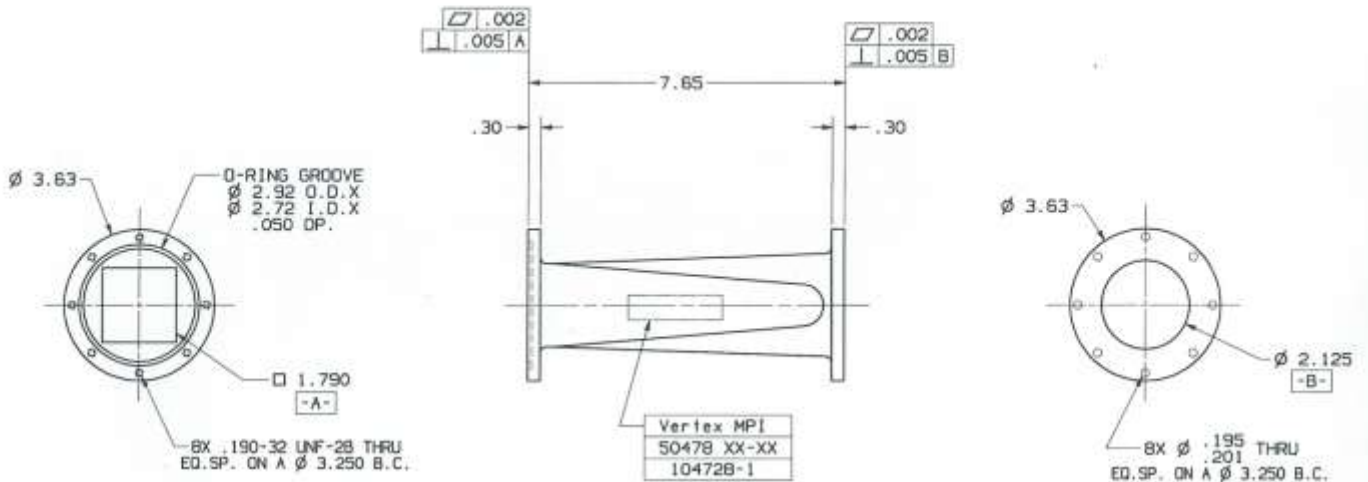
SCALE: NONE SHEET 1 OF 2

104728 | SH 1 |

SPECIFICATIONS

FINISH: INTERIOR AND FLANGE FACES: CHEM FILMED PER MIL-C-5541C, CLASS 1A.
 EXTERIOR: WHITE PAINT, COLOR No. 17875 PER FED-STD-585
 PRESSURIZATION: PRESSURE TESTED TO 2 PSIG

REVISIONS			
REV	DESCRIPTION	DATE	APPROVED
M	SEE REVISION RECORD SHEET	02-15-99	



-1 CONFIGURATION

UNLESS OTHERWISE SPECIFIED	SIGNATURES	DATE	VertexRSI™ A TRIPOLI Global Company Torrance, CA Facility, TORRANCE@TRIPOLINGLOBAL.COM 3111 Follis St., Torrance, CA 90505 (310)539-6304
DIMENSIONS ARE IN INCHES	APPROVED: [Signature]	04-10-99	
TOLERANCES:	DRAWN: H. Stipan	04-10-99	C-BAND TRANSITION □ 1.790 TO Ø 2.125
SURFACE .XX ±.02	CHKD: W. E. TERRY	04-11-99	
6.3 .XXX ±.004	W:		R120 PDSH NO. DRAWING NO. 104728 C 50478 SCALE: 1:2 SHEET 1 OF 2
✓ MATERIAL CAST ALUMINUM			
FINISH			
REV			

The vertex feed is complete with a transition that changes the flange from circular to rectangle.