

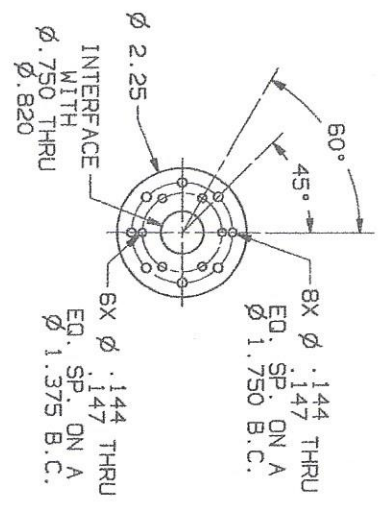
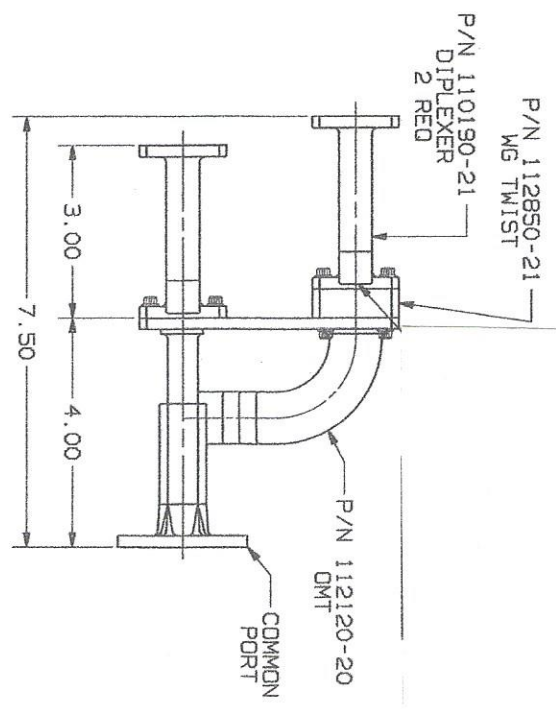
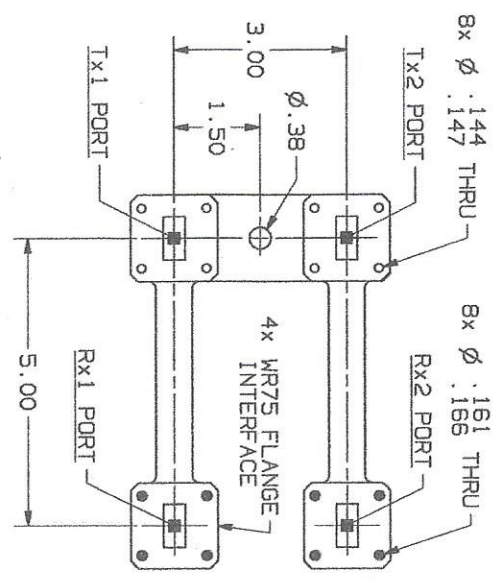
**SPECIFICATIONS**

<b>FREQUENCY BAND</b>	Rx: 11.45 - 12.20 GHz Tx: 13.75 - 14.50 GHz
<b>INSERTION LOSS</b>	Rx: 0.40 dB MAX Tx: 0.35 dB MAX
<b>ISOLATION</b>	Rx: 1.3:1 MAX Tx: 1.3:1 MAX
	Tx/Rx: 70 dB Rx/Tx: 35 dB Rx/Rx: 35 dB Tx/Tx: 35 dB

<b>CROSSPOL</b>	: 35 dB MIN
<b>PRESSURIZATION</b>	: SEALED TO 1.0 PSIG
<b>FINISH</b>	CHROMATE CONVERSION COATED PER MIL-DTL-5541F, TYPE II, CLASS 1A
<b>EXTERIOR</b>	WHITE PAINT, COLOR No. 17875 PER FED-STD-595

**REVISIONS**

REV	DESCRIPTION	EFFECTIVE DATE	APPROVED
-	SEE DR 10962	9-2-11	J.D.



NOTES: UNLESS OTHERWISE SPECIFIED.