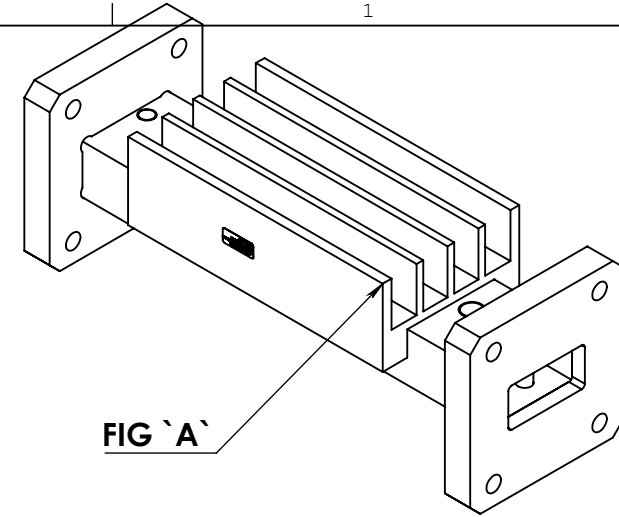
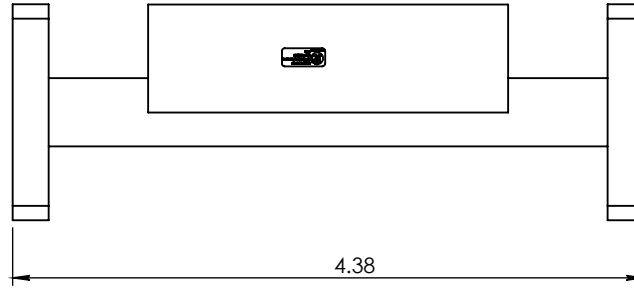


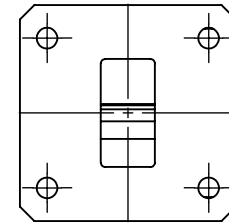
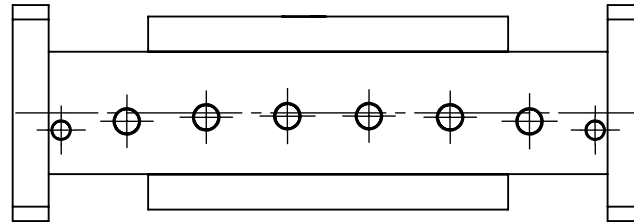
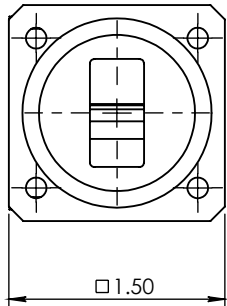
**ELECTRICAL SPECIFICATIONS:**

**PASSBAND:** SEE TABLE  
**VSWR:** 1.1:1 MAX.  
**INSERTION LOSS:** SEE TABLE  
**STOP BAND FREQUENCY:** 10.7-12.75 GHz  
**REJECTION:** > 90dB @ 10.7-12.2 GHz  
**POWER :** SEE TABLE FOR 10-7-12.75 GHz  
 SEE TABLE

**OTHER SPECIFICATIONS SEE TABLE**



**FIG `A`**



**FLANGE OPTIONAL SEE TABLE**



**FIN OPTIONAL SEE TABLE**

REV	ECN	DESCRIPTION	DATE	INT
AJ	13-661	ADDED DASH 23	20/11/2012	GW
AK	13-777	ADDED DASH 24	09/09/2013	GW
AL	16-0006	ADDED DASH 25	09/09/2013	YJM
AM	16-0509	ADDED DASH 26	07/01/2016	YJM
AN	17-0727	ADDED DASH 27	19/07/2017	YJM
AO	17-1315	AS PER ECN	Dec 04, 2017	FS

**REVISIONS**

**MATERIAL:**  
SEE SHEET 3

**FINISH:**  
SEE SHEET 3

DIMENSIONS ARE IN:  INCHES  mm

UNLESS OTHERWISE SPECIFIED TOLERANCES ARE:  
 UP TO 6": .XX ±.01 .XXX ±.005  
 6"-12": .XX ±.02 .XXX ±.010  
 ABOVE 12": .XX ±.03 .XXX ±.015  
 Ang: ± 1/2 Deg.

PROJECTION:  
**DO NOT SCALE DWG.**

**ISO9001-CERTIFIED**

THIS DOCUMENT IS THE PROPERTY OF APOLLO MICROWAVES LTD. REPRODUCTION OR RELEASE IN ANY FORM OR FORMAT WITHOUT WRITTEN CONSENT IS STRICTLY PROHIBITED.

Q.A. APPROVAL: \_\_\_\_\_ DATE: \_\_\_\_\_  
 MFG. ENG. APPROVAL: \_\_\_\_\_ DATE: \_\_\_\_\_  
 ENG. APPROVAL: \_\_\_\_\_ DATE: \_\_\_\_\_  
 DRAWN: **NOEL P.** DATE: **Nov 20, 1998**  
 RF DESIGNED: \_\_\_\_\_ DATE: \_\_\_\_\_

**MASS: 0.735 LBS.**

**APOLLO MICROWAVES LTD.**

**TITLE:**  
FILTER BANDPASS WR-75  
Ku-BAND

DRAWING NO.: **A 11896**

SCALE: 1:2 REV. **AO** **RoHS**

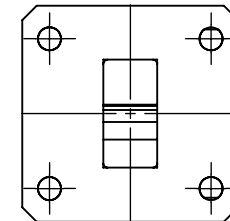
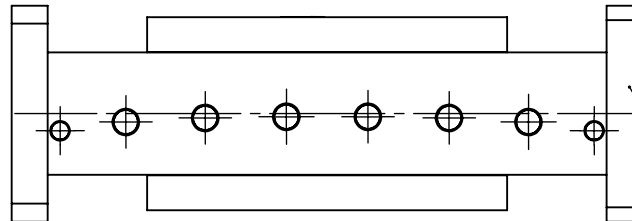
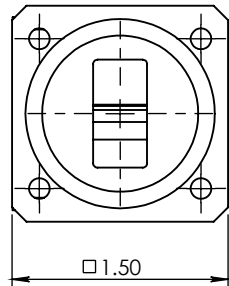
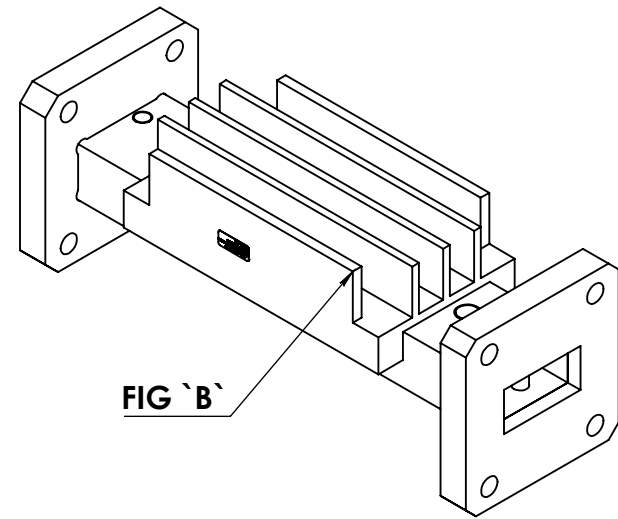
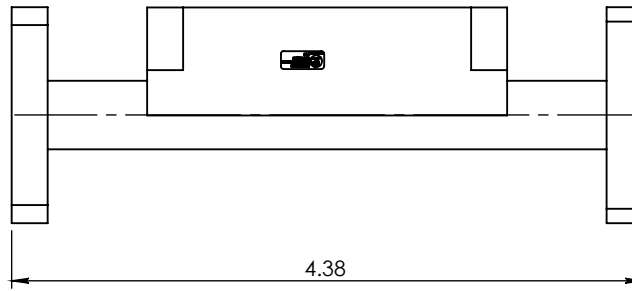
NEXT ASS'Y: SEE SHEET 3 SHEET 1 OF 3

PATH: C:\apollocad\cad\models\11000\

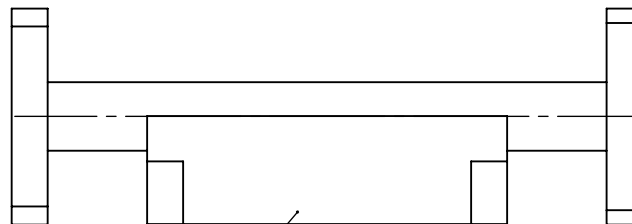
**ELECTRICAL SPECIFICATIONS:**

**PASSBAND:** SEE TABLE  
**VSWR:** 1.1:1 MAX.  
**INSERTION LOSS:** SEE TABLE  
**STOP BAND FREQUENCY:** 10.7-12.75 GHz  
**REJECTION:** > 90dB @ 10.7-12.2 GHz  
**POWER :** SEE TABLE FOR 10.7-12.75 GHz  
 SEE TABLE

**OTHER SPECIFICATIONS SEE TABLE**



FLANGE OPTIONAL SEE TABLE



FIN OPTIONAL SEE TABLE

REV	ECN	DESCRIPTION	DATE	INT
AJ	13-661	ADDED DASH 23	20/11/2012	GW
AK	13-777	ADDED DASH 24	09/09/2013	GW
AL	16-0006	ADDED DASH 25	09/09/2013	YJM
AM	16-0509	ADDED DASH 26	07/01/2016	YJM
AN	17-0727	ADDED DASH 27	19/07/2017	YJM
AO	17-1315	AS PER ECN	Dec 04, 2017	FS

**REVISIONS**

**MATERIAL:**  
SEE SHEET 3

**FINISH:**  
SEE SHEET 3

DIMENSIONS ARE IN:  INCHES  mm

UNLESS OTHERWISE SPECIFIED TOLERANCES ARE:  
 UP TO 6": .XX ±.01 .XXX ±.005  
 6"-12": .XX ±.02 .XXX ±.010  
 ABOVE 12": .XX ±.03 .XXX ±.015  
 Ang: ± 1/2 Deg.

PROJECTION:  
**DO NOT SCALE DWG.**

**ISO9001-CERTIFIED**

THIS DOCUMENT IS THE PROPERTY OF APOLLO MICROWAVES LTD. REPRODUCTION OR RELEASE IN ANY FORM OR FORMAT WITHOUT WRITTEN CONSENT IS STRICTLY PROHIBITED.

Q.A. APPROVAL: DATE: TITLE: DRAWING NO.:  
 MFG. ENG. APPROVAL: DATE: FILTER BANDPASS WR-75 Ku-BAND  
 ENG. APPROVAL: DATE: DRAWN: NOEL P. DATE: Nov 20, 1998  
 RF DESIGNED: DATE: MASS: 0.735 LBS. PATH: C:\apollocad\cad\models\11000\

**APOLLO MICROWAVES LTD.**

**A 11896**

SCALE: 1:2 REV: AO **RoHS**

NEXT ASS'Y: SEE SHEET 3 SHEET: 2 OF 3

NOTE:  
 -(T) SPECIFIES TAPPED ( #6-32UNC-2B)  
 -(mmT) SPECIFIES METRIC TAP ( M4x0.7)  
 -(mm) SPECIFIES METRIC CLEAR HOLE (  $\phi$  4.08/ $\phi$  4.11 mm)  
 -(C) SPECIFIES STANDARD CLEAR HOLE (  $\phi$  .144/ $\phi$  .147)  
 -(S) SPECIFIES SPECIAL CUSTOM HOLE

DASH	FREQUENCY (GHz)	REJECTION(10.7-12.75 GHz)	INSERTION LOSS	POWER	HEAT SINK	INPUT FLANGE	OUTPUT FLANGE	PSIG	FINISH	NEXT ASS'Y	FIG MANE	CONSTRUCTION
01	13.75-14.5	75 dB	0.25 dB	600 WATTS	N/A	WR75 O'RING(C)	WR75 COVER(C)	5	FLAT BLACK	70778-01	A	POST
02	13.75-14.5	75 dB	0.25 dB	750 WATTS	REQUIRED	WR75 O'RING(C)	WR75 COVER(C)	5	FLAT BLACK	70778-02	A	POST
03	13.75-14.5	75 dB	0.25 dB	750 WATTS	REQUIRED	WR75 O'RING(C)	WR75 COVER(C)	5	FLAT BLACK	70778-03	A	POST
04	13.75-14.5	75 dB	0.25 dB	600 WATTS	N/A	WR75 O'RING(C)	WR75 COVER(C)	5	GLOSSY WHITE	70778-04	A	POST
05	13.75-14.5	75 dB	0.25 dB	600 WATTS	N/A	WR75 O'RING(C)	WR75 O'RING(C)	5	FLAT BLACK	70778-05	A	POST
06	13.75-14.5	75 dB	0.25 dB	600 WATTS	N/A	WR75 O'RING(mm)	WR75 COVER(mm)	5	FLAT BLACK	70778-06	A	POST
07	13.75-14.5	75 dB	0.25 dB	600 WATTS	N/A	WR75 O'RING(T)	WR75 COVER(T)	5	FLAT BLACK	70778-07	A	POST
08	13.75-14.5	75 dB	0.25 dB	600 WATTS	N/A	WR75 COVER(T)	WR75 O'RING(T)	5	FLAT BLACK	70778-07	A	POST
09	14.0-14.5	80 dB	0.25 dB	600 WATTS	N/A	WR75 O'RING(C)	WR75 O'RING(C)	5	WHITE(OUTDOOR)	70778-08	A	POST
10	13.75-14.5	75 dB	0.25 dB	750 WATTS	REQUIRED	WR75 COVER(C)	WR75 O'RING(C)	5	FLAT BLACK	70778-02	A	POST
11	13.75-14.5	75 dB	0.25 dB	600 WATTS	N/A	WR75 COVER(mm)	WR75 COVER(mmT)	5	FLAT BLACK	70778-09	A	POST
12	13.75-14.5	75 dB	0.25 dB	600 WATTS	N/A	WR75 COVER(C)	WR75 O'RING(C)	5	FLAT BLACK	70778-01	A	POST
13	14.0-14.5	80 dB	0.25 dB	600 WATTS	N/A	WR75 O'RING(C)	WR75 O'RING(C)	5	FLAT BLACK	70778-05	A	POST
14	14.0-14.5	75 dB	0.25 dB	750 WATTS	REQUIRED	WR75 COVER(C)	WR75 O'RING(C)	5	FLAT BLACK	70778-02	A	POST
15	13.75-14.5	75 dB	0.25 dB	600 WATTS	N/A	WR75 O'RING(C)	WR75 O'RING(C)	5	OLIVE GREEN	70778-10	A	POST
16	13.75-14.5	75 dB	0.25 dB	600 WATTS	N/A	WR62 O'RING(C)	WR62 COVER(C)	5	FLAT BLACK	70778-11	A	POST
17	13.75-14.5	75 dB	0.25 dB	600 WATTS	N/A	WR75 O'RING(C)	WR75 O'RING(C)	5	US MIL GREEN	70778-12	A	POST
18	13.75-14.5	80 dB	0.25 dB	600 WATTS	N/A	WR75 COVER(C)	WR75 O'RING(C)	5	WHITE#17875	70778-13	A	POST
19	14.0-14.5	90 dB@10.7-12.75; 10 dB@13.8GHz	0.25 dB	600 WATTS	REQUIRED	WR75 COVER(C)	WR75 O'RING(C)	5	GREEN	70778-14	A	POST
20	13.75-14.5	85 dB	0.25 dB	500 WATTS	N/A	WR75 COVER(C)	WR75 O'RING(C)	5	FLAT BLACK	70778-01	A	POST
21	13.75-14.5	75 dB	0.25 dB	600 WATTS	N/A	WR75 O'RING(C)	WR75 COVER(C)	5	NO PAINT	70778-15	A	POST
22	14.0-14.5	80 dB	0.25 dB	600 WATTS	N/A	WR75 O'RING(mm)	WR75 O'RING(mm)	5	FLAT BLACK	70778-16	A	POST
23	13.75-14.5	75 dB	25 dB	600 WATTS	N/A	WR75 COVER(mm)	WR75 COVER(mm)	5	FLAT BLACK	70778-17	A	POST
24	14.5-14.8	80dB@12.75 GHz	0.25 dB	600 WATTS	N/A	WR75 O'RING(C)	WR75 COVER (C)	5	FLAT BLACK	42562-01	A	POST
25	13.75-14.5	75 dB	0.25 dB	750 WATTS	REQUIRED	PBR120 (mm)	UBR120 (mm)	5	SILVER PLATED/FLAT BLACK	70778-18	A	POST
26	13.75-14.5	75 dB	0.25 dB	750 WATTS	REQUIRED	PBR120 (mm)	UBR120 (mm)	5	SILVER PLATED/DESERT TAN (RAL 1019)	70778-19	A	POST
27	13.75-14.5	75 dB	0.25 dB	750 WATTS	REQUIRED	UBR120 (mm)	PBR120 (mm)		PAINT WHITE (OUTDOOR)	70778-20	B	POST

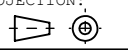
REV	ECN	DESCRIPTION	DATE	INT
AJ	13-661	ADDED DASH 23	20/11/2012	GW
AK	13-777	ADDED DASH 24	09/09/2013	GW
AL	16-0006	ADDED DASH 25	09/09/2013	YJM
AM	16-0509	ADDED DASH 26	07/01/2016	YJM
AN	17-0727	ADDED DASH 27	19/07/2017	YJM
AO	17-1315	AS PER ECN	Dec 04, 2017	FS

MATERIAL:  
 SEE TABLE


FINISH:  
 SEE TABLE

DIMENSIONS ARE IN:  INCHES  mm

UNLESS OTHERWISE SPECIFIED TOLERANCES ARE:  
 UP TO 6": .XX ±.01 .XXX ±.005  
 6"-12": .XX ±.02 .XXX ±.010  
 ABOVE 12": .XX ±.03 .XXX ±.015  
 Ang: ± 1/2 Deg.

PROJECTION:  


DO NOT SCALE DWG.



ISO9001-CERTIFIED

THIS DOCUMENT IS THE PROPERTY OF APOLLO MICROWAVES LTD. REPRODUCTION OR RELEASE IN ANY FORM OR FORMAT WITHOUT WRITTEN CONSENT IS STRICTLY PROHIBITED.

Q.A. APPROVAL: DATE:

MFG. ENG. APPROVAL: DATE:

ENG. APPROVAL: DATE:

DRAWN: NOEL P. DATE: Nov 20, 1998

RF DESIGNED: DATE:

MASS: 0.735 LBS.

# APOLLO MICROWAVES LTD.

TITLE:  
 FILTER BANDPASS WR-75  
 Ku-BAND

DRAWING NO.:  
**A 11896**

SCALE: 1:2  
 REV.: AO  
 RoHS

NEXT ASS'Y: SEE TABLE  
 SHEET: 3 OF 3

PATH: C:\apollocad\cad\models\11000\