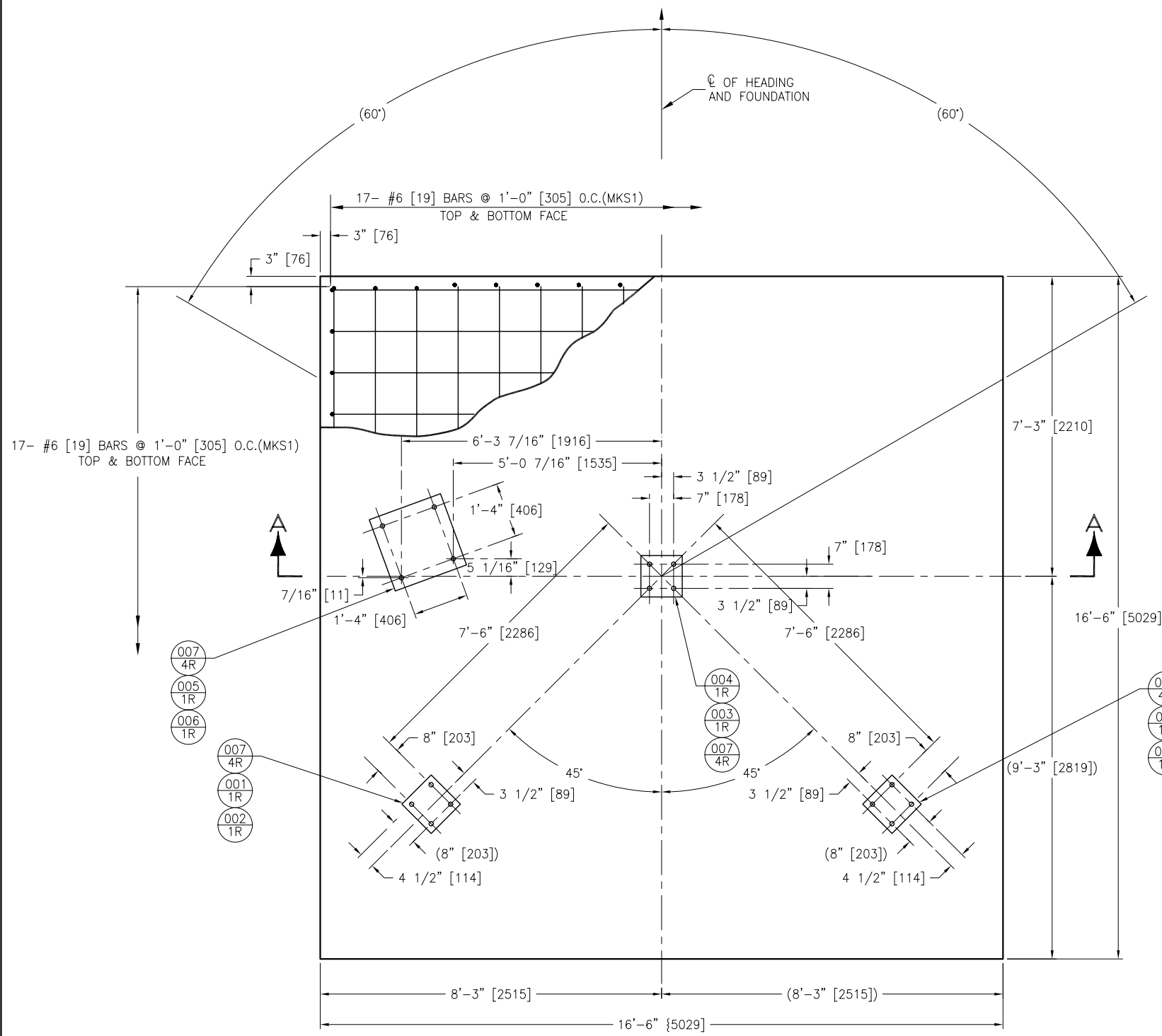


REVISIONS			
REV	DESCRIPTION	DATE	APPROVED
A	JBS BASELINE, REPLACES 570773-01(F);	06/10/93	KJS/
B	ECR96-1438; DELETED ITEM 008.	1/16/97	SJH/KLL

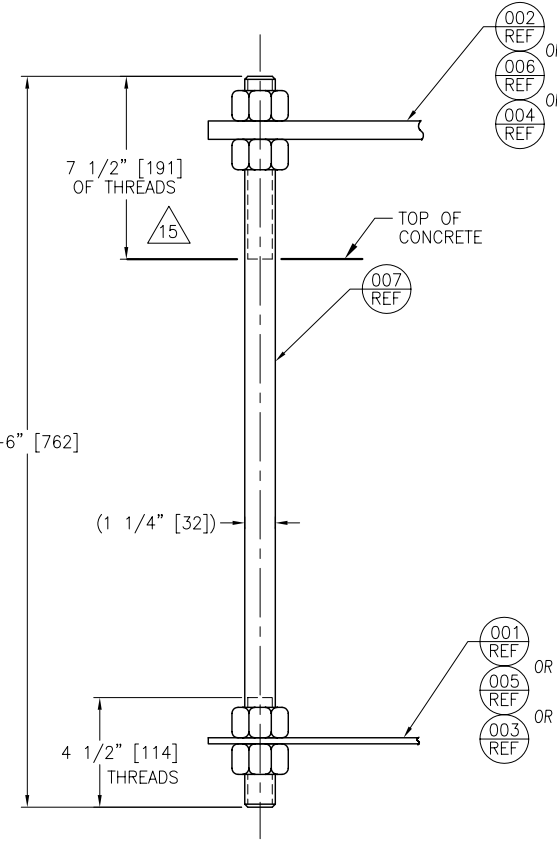
REINFORCEMENT BARS				
QTY.	SIZE	CUTTING LENGTH	MARK	BENDING DIAGRAM ALL DIMENSIONS OUT TO OUT
68	#6 [19]	19'-0" [5791]	S1	
9	#4 [13]	6'-3 1/2" [1918]	S2	
				S1                  S2

**NOTES:**

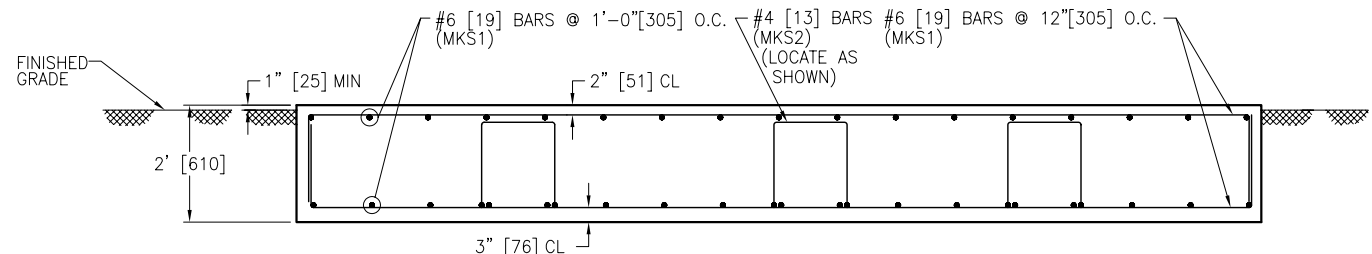
- ALL CONCRETE SHALL HAVE A 28-DAY MIN. COMPRESSION STRENGTH OF 3,000 PSI.
- CONCRETE SHALL BE THOROUGHLY CONSOLIDATED BY EITHER RODDING OR VIBRATING.
- REINFORCEMENT STEEL SHALL BE DEFORMED INTERMEDIATE GRADE NEW BILLET STEEL BARS WITH 60,000 PSI MIN. YIELD STRENGTH IN ACCORDANCE WITH SPECIFICATION FOR DEFORMATION OF DEFORMED STEEL BARS FOR CONCRETE REINFORCEMENT (A.S.T.M. A-615).
- ALL REINFORCEMENT BARS SHALL BE SECURELY WIRED TO PREVENT SHIFTING WHEN CONCRETE IS PLACED.
- THE BASE UNDER THE FOUNDATION SHALL CONSIST OF UNDISTURBED (OR COMPACTED) MATERIAL WITH A MINIMUM BEARING CAPACITY OF 2,000 PSF [95760 Pa].
- SURFACE TO HAVE A BROOM FINISH AND BE LEVEL TO THE HORIZON WITHIN  $\pm 1/8$  [3].
- WHEN THE FROST-LINE IS BELOW 17 [432], THE SUB-SOIL BASE REQUIRES SPECIAL DESIGN CONSIDERATION TO PREVENT HEAVING.
- COMPLIANCE WITH ALL BUILDING CODES AND THE REQUIRED PERMITS ARE THE RESPONSIBILITY OF OTHERS.
- ANCHOR BOLT PATTERNS SHALL BE LOCATED WITHIN  $\pm 1/8$  [3] OF SPECIFIED LOCATIONS.
- ESTIMATED QUANTITIES: CONCRETE 20 CU. YDS. [16 CU. METERS]  
STEEL 1,980 LBS. [903 KG.]
- COMPLIANCE WITH ALL ELECTRICAL CODES AND THE REQUIRED PERMITS ARE THE RESPONSIBILITY OF OTHERS.
- ALL PVC CONDUIT (OR TYPE CONDUIT REQUIRED BY LOCAL CODES) TO BE SUPPLIED BY OTHERS.
- CONDUIT RUNS MAY EXIT FOUNDATION IN THE DIRECTION THAT IS MOST CONVENIENT FOR EACH SITE.
- WIND SURVIVAL: 125 MPH [201 KPH]
- PROTECT EXPOSED THREADS FROM CONCRETE SPLATTER DURING PLACEMENT OF CONCRETE, REMOVE WOODEN TEMPLATES AND HEX NUTS 24 HOURS AFTER PLACEMENT OF CONCRETE AND CLEAN ALL EXPOSED THREADS.
- DIMENSIONS IN [ ] ARE METRIC (MILLIMETERS).



**PLAN VIEW  
R002413**



**ITEM 007  
16 REQD**



**SECTION A-A**

DO NOT SCALE DRAWING		REFERENCE SEPARATE BOM FOR SPECIFIC INFO		VertexRSI CONFIDENTIAL AND PROPRIETARY	
UNLESS OTHERWISE SPECIFIED ! INTERPRET DIMENSIONING & TOLERANCING PER ASME Y14.5M-1994. DIMENSIONS ARE IN INCHES. DIMENSIONS SHOWN IN ( ) ARE FOR REFERENCE ONLY. TOLERANCES ARE: FRACTIONS: DETAILS $\pm 1/16$ ASSY'S $\pm 1/8$ DECIMALS: .XX $\pm .03$ .XXX $\pm .005$ ANGLES $\pm 1^\circ$		UNLESS OTHERWISE SPECIFIED ! PART TO BE FREE OF BURRS & SHARP EDGES. COMMERCIAL TOLERANCES TO STOCK SIZES APPLY.		TO CONVERT TO METRIC SYSTEM, MULTIPLY INCHES SHOWN ON DRAWING BY 25.4 TO OBTAIN MILLIMETERS.	
DESIGN	ADDITIONAL APPROVALS	DATE	APPROVALS	DATE	<p>ANTENNA PRODUCTS DIVISION 2600 N. LONGVIEW ST. KILGORE, TEXAS 75662 USA</p> <p>TITLE: <b>FOUNDATION INSTL 120DEG AZ, 125MPH WIND MODEL 7.2 KPC/KPK</b></p>
MECHANICAL			DRAWN K.SPEICHER	06/10/93	
STRUCTURAL			CHECKED K.LINDSEY	06/11/93	
ELECTRICAL			DESIGNER V.TWU	09/12/89	
			MANUFACTURING D.DAVIS	06/22/93	
			PROJECT G.HALL		CODE ID. NO.
			PRODUCT MGR J.PORTER		SIZE
					DWG NO.
					REV
					B
					SCALE: 1/20
					CONTRACT NO.
					SHEET 1 OF 1