

**SPECIFICATIONS**

**FREQUENCY BAND** Rx: 3.400 - 4.200 GHz  
Tx: 5.725 - 6.725 GHz

**INSERTION LOSS** Rx: 0.30 dB MAX  
Tx: 0.30 dB MAX

**VSWR** Rx: 1.25:1 MAX  
Tx: 1.25:1 MAX

**ISOLATION** Tx/Rx: 85 dB MIN  
Rx/Tx: 85 dB MIN  
Rx/Rx: 17 dB MIN  
Tx/Tx: 17 dB MIN

**AXIAL RATIO** : 0.40 dB MAX

**POWER HANDLING** : 5 KW CW EA Tx PORT  
(W/ADEQUATE HEAT DISSIPATION)  
10 KW CW TOTAL

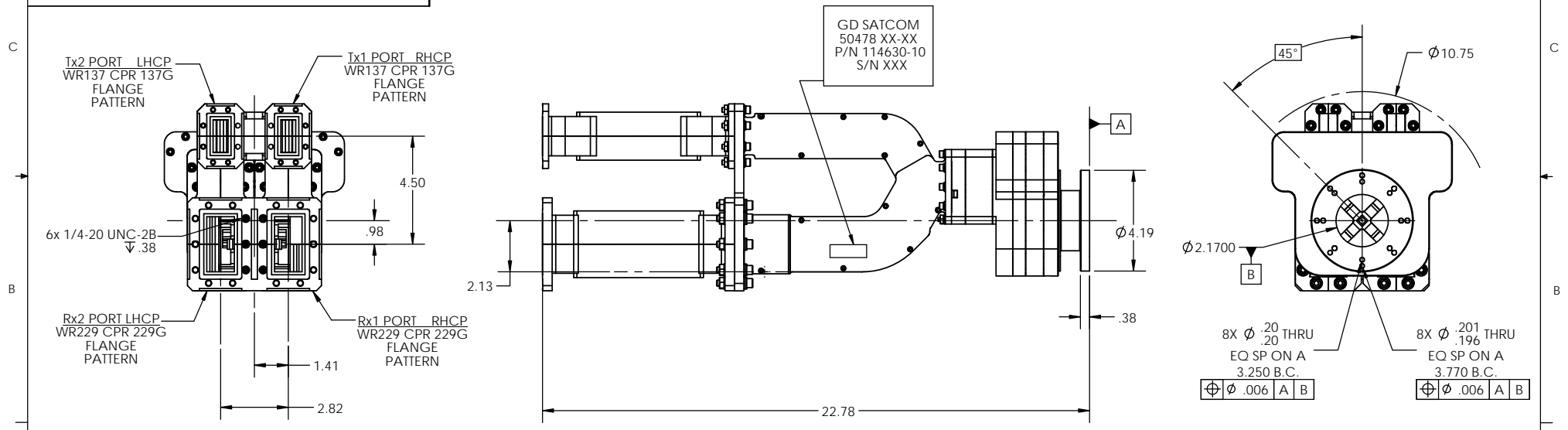
**OPERATING TEMP** : 115° MAX

**ESTIMATED MASS** : 28 Lbs

**PRESSURIZATION** : SEALED TO 2 PSI

**FINISH**  
FLANGE FACES: ZINC-NICKEL PER (AMS 2417, TYPE II, CLASS 2)  
EXTERIOR: WHITE PAINT, COLOR No. 17875 PER FED-STD-595

REVISIONS				
ZONE	REV.	DESCRIPTION	DATE	APPROVED
	A	INITIAL RELEASE	10/22/2013	
⊠	B	SEE EC 12898	12/6/2013	
	C	ECR 11539	12/12/2016	J. MITCHELL



DO NOT SCALE DRAWINGS		APPROVALS	DATE	GENERAL DYNAMICS PROPRIETARY	
UNLESS OTHERWISE SPECIFIED, INTERPRET DIMENSIONING & TOLERANCING PER ANSI/ASME Y14.5M-2009. DIMENSIONS ARE IN INCHES. DIMENSIONS SHOWN IN ( ) ARE FOR REFERENCE ONLY. <b>TOLERANCES:</b> TWO PLACE DECIMAL ± .01 THREE PLACE DECIMAL ± .002 FOUR PLACE DECIMAL ± .001 ANGLES ± 0°30'		DRAWN:		<b>GENERAL DYNAMICS</b> SATCOM Technologies 3111 Fujita Street, Torrance CA 90505, (310) 539-6704	
		CHECKED:			
		RF DESIGN:			
		MFG:			
THIRD ANGLE PROJECTION	EAR CONTROLLED	MATERIAL		TITLE:	<b>C-BAND 4-PORT DIPLEXER CIRCULAR POLARIZED</b>
	Export or re-export subject to 15 CFR 700 - 799	SIZE	CAGE CODE	DWG No.	REV
		<b>B</b>	<b>50478</b>	<b>114630-10</b>	<b>C</b>
		SCALE:	<b>1:4</b>	WEIGHT: 22.43 LB	SHEET 1 of 3