

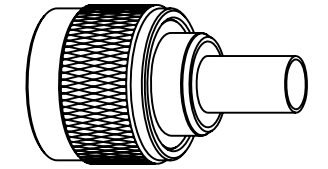
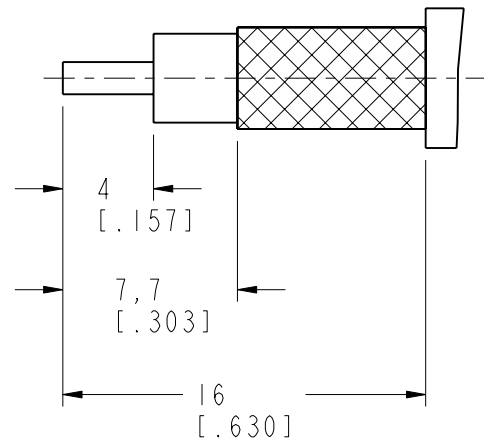
NOTES:

1. MATERIALS AND FINISHES:  
 BODY - BRASS, ALBALOY PLATING  
 CONTACT -BRASS, GOLD PLATING  
 INSULATOR - PTFE, NATURAL
2. ELECTRICAL:  
 A. IMPEDANCE: 50 OHM  
 B. FREQUENCY RANGE: 0 - 11 GHz  
 C. VSWR: 1.3 MAX.@ DC - 6 GHz  
 D. DIELECTRIC WITHSTANDING VOLTAGE: 2500 VRMS, MIN.
3. MECHANICAL:  
 A. DURABILITY: 500 CYCLES MIN.  
 B. TEMPERATURE RANGE: -65°C TO +165°C
4. CRIMPED FERRULE  
 HEX. CRIMP SIZE .255"
5. CRIMPED CONTACT PIN  
 HEX. CRIMP SIZE .100" OR SOLDER

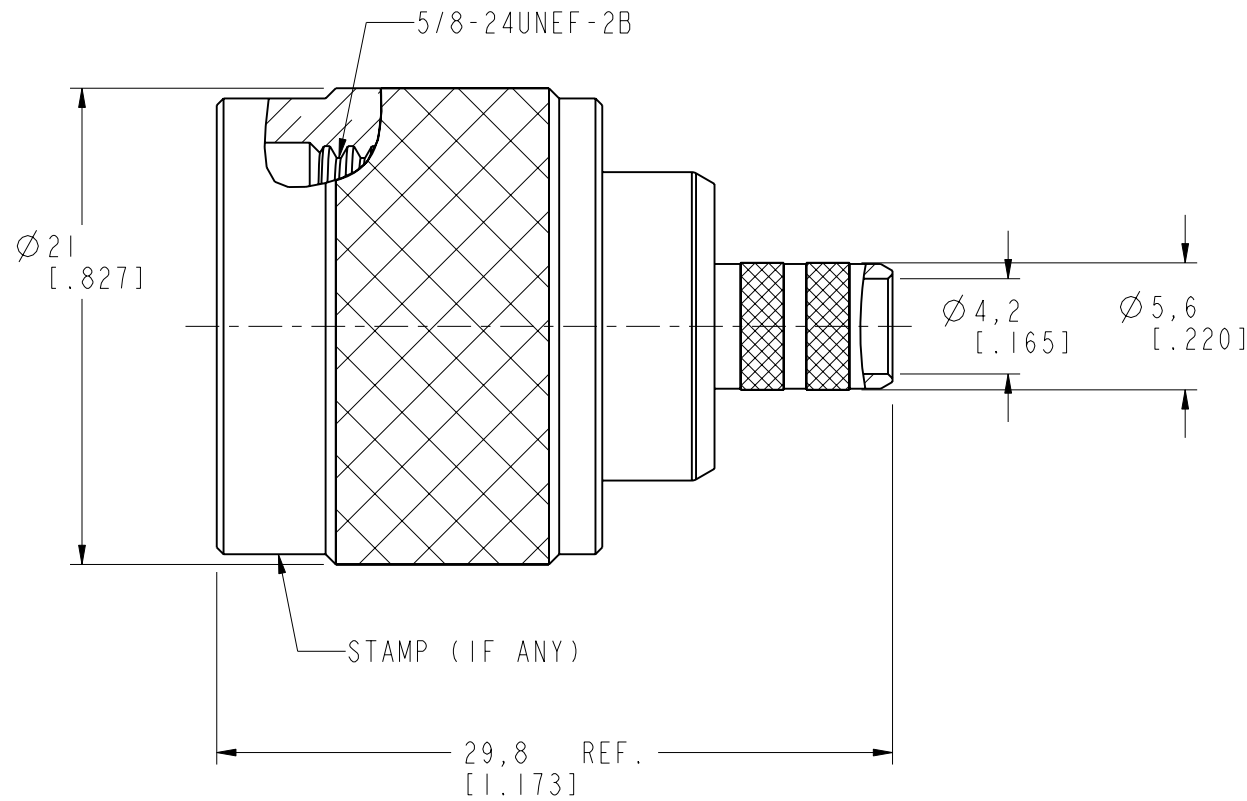
THIRD ANGLE PROJ.

REVISIONS

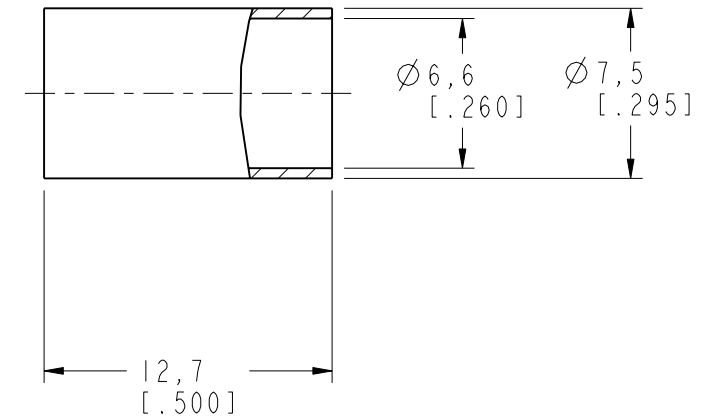
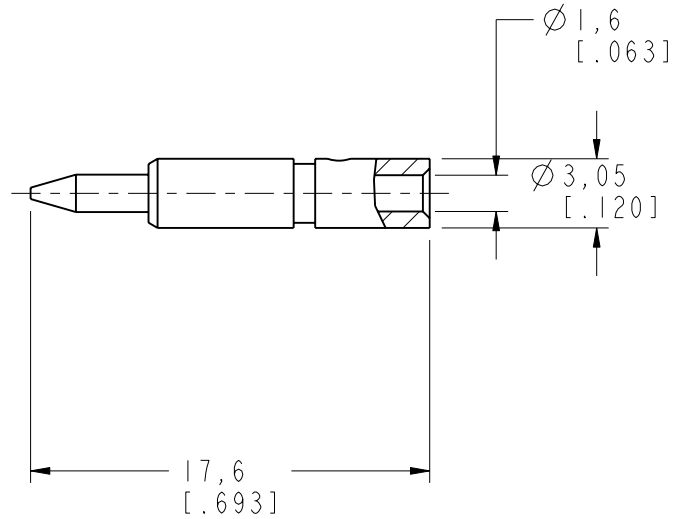
REV	DESCRIPTION	DATE	ECO	APPR
A	RELEASE TO MFG.	21-Nov-08	--	MZ
B	ADDED PART NO. \RD-DM09061801M	25-Jun-09	47595	SH
C	"82-6152" WAS "81-6152"\RD-DM09110201M	02-Nov-09	47870	SH
D	ADDED NOTE 2.C\RD-DM12041301M	20-Apr-12	--	DH
E	ADDED SOLDER CONTACT TO NOTE 5\RD-DM14031701M	16-Apr-14	49929	SH



SCALE 1.000



RECOMMENDED  
CABLE STRIPPING DIM'S



**CUSTOMER OUTLINE DRAWING**

ALL OTHER SHEETS ARE FOR INTERNAL USE ONLY

UNLESS OTHERWISE SPECIFIED, DIMENSIONS ARE IN METRIC AND TOLERANCES ARE:  
 <0.5mm ±0.05mm    0.5 - 6mm ±0.1mm    6 - 30mm ±0.2mm    30 - 120mm ±0.3mm    ANGLES ±1°

NOTICE - These drawings, specifications, or other data (1) are, and remain the property of Amphenol corp. (2) must be returned upon request; and (3) are confidential and not to be disclosed to any person other than those to whom they are given by Amphenol Corp. the furnishing of these drawings, specifications, or other data by Amphenol Corp., or to any other person to anyone for any purpose is not to be regarded by implication or otherwise in any manner licensing, granting rights to permitting such holder or any other sperson to manufacture, use or sell any product, process or design, patented or otherwise, that may in any way be related to or disclosed by said drawings, specifications, or other data.

MATERIAL -	DRAWN M. ZHANG	DATE 13-Mar-14	TITLE N CRIMP PLUG (FOR LMR-240, RG-8/X)	Amphenol RF Danbury CT USA, Tainan, Taiwan, Shenzhen, China www.amphenolrf.com	
	ENGINEER C. WANG	DATE 21-Nov-08			
	REFERENCE EAR #            AND	APPROVED S. HSIEH	DATE 13-Mar-14		SCALE: 3.0:1.0    SHEET 2 OF 2
	CONFIGURATION LEVEL: Prototype	CAD FILE Root Folder/N/N1121A1-AT5GP-8X-50	DWG SIZE B		REV E
FINISH				DRAWING NO. N1121A1-AT5GP-8X-50	
				ITEM NO. 031121AAA89CP5F	
				PART NO. 82-6152	

# Mouser Electronics

Authorized Distributor

Click to View Pricing, Inventory, Delivery & Lifecycle Information:

[Amphenol:](#)

[082-6152](#)